

Illustration - Type - E

3 600 HB3 100
 Stand } 17-11-22
 Issue } **Fig./Abb. 2**

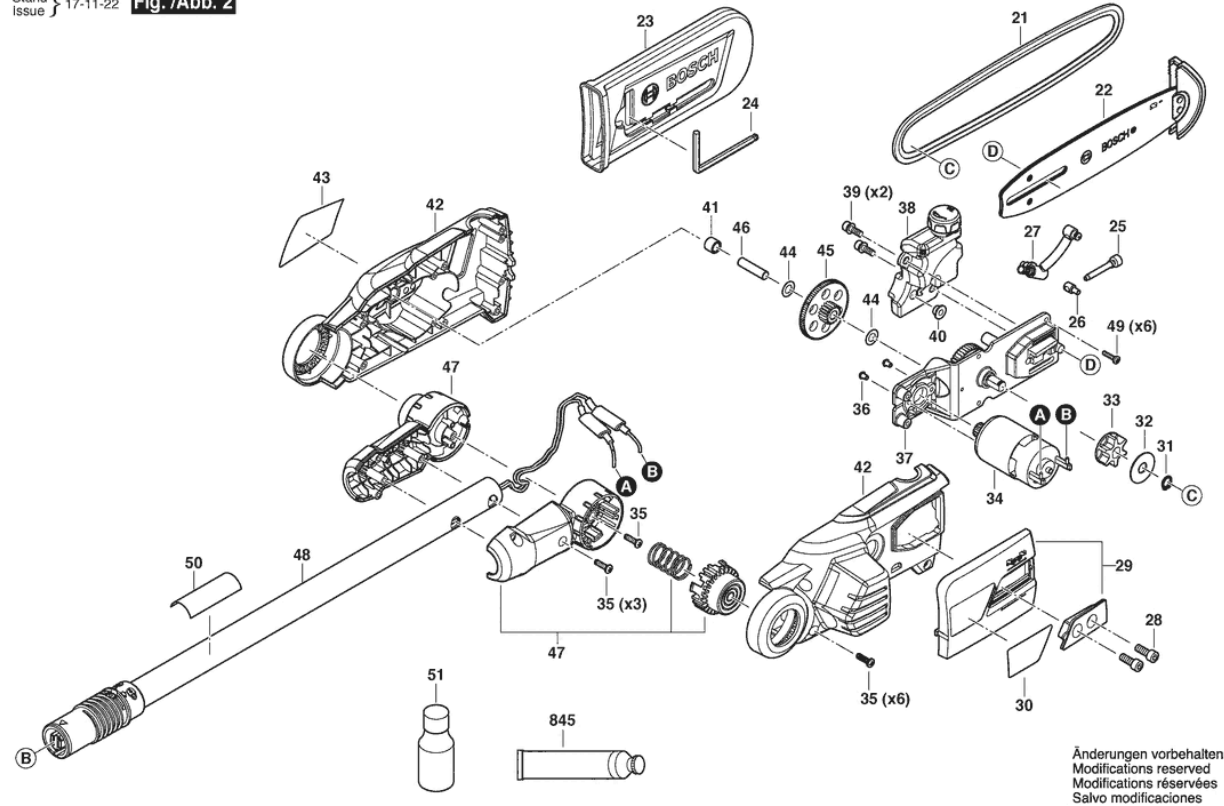
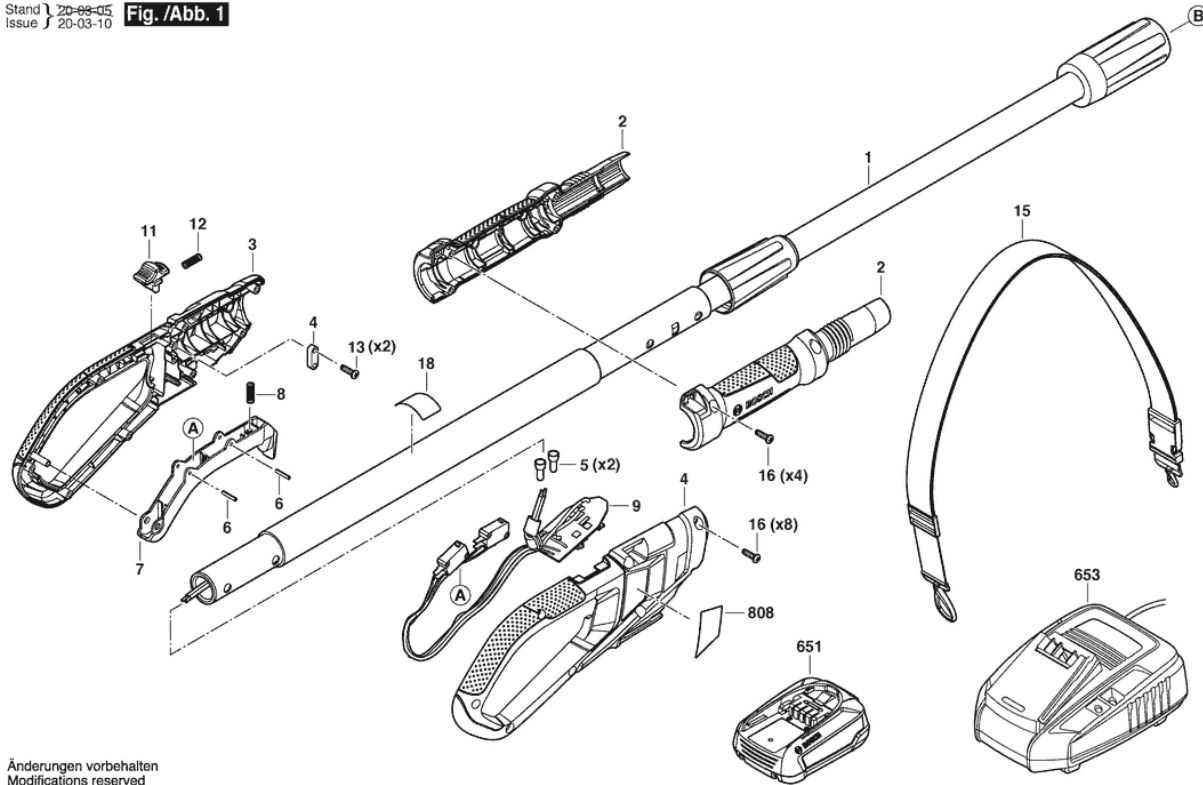


Illustration - Type - E

3 600 HB3 100
 Stand } 20-08-05
 Issue } 20-03-10 **Fig. /Abb. 1**



Änderungen vorbehalten
 Modifications reserved
 Modifications réservées
 Salvo modificaciones

Spare parts list

Item	Part Number	Description	Illustration
1	F 016 F05 187	Telescope Pipe	1
2	F 016 F05 218	Housing	1
3	F 016 F05 219	Housing	1
4	F 016 F05 220	Clamp	1
5	F 016 F05 221	Cap	1
6	F 016 F05 222	Pin	1
7	F 016 F05 223	Trigger	1
8	F 016 F05 224	Spring	1
9	1 600 A01 D9T	Electronic Assembly	1
11	F 016 F05 227	Button	1
12	F 016 F05 228	Spring	1
13	F 016 F05 229	Screw	1
15	F 016 F05 230	Chest Harness	1
16	F 016 F05 231	Screw ST4.6 X 17 BLACK	1
18	F 016 F05 232	Label	1
651	1 607 A35 ORU	Battery Pack	1
653	2 607 225 965	Fast Charger	1
653	2 607 225 967	Charger GB AL 1830 CV 230/14,4-18V 1H	1
653	2 607 225 969	Charger	1
808	F 016 F05 790	Nameplate	1
21	F 016 F05 190	Chain	2
22	F 016 F05 191	Bar	2
23	F 016 F05 192	Cover	2
24	F 016 F05 193	Hexagon Socket Screw Key	2
25	F 016 F05 194	Screw	2
26	F 016 F05 195	Holder	2
27	F 016 F05 196	Pump	2
28	F 016 F05 197	Hex Screw M6 X16	2
29	F 016 F05 198	Cover	2
30	F 016 F05 199	Manufacturer's nameplate UNIVERSALCHAINPOLE 18	2
31	F 016 F05 200	Ring	2
32	F 016 F05 201	Washer	2
33	F 016 F05 202	Sprocket	2
34	F 016 F05 203	Motor	2

Spare parts list

Item	Part Number	Description	Illustration
36	F 016 F05 204	Screw M4 X8 SILVER	2
37	F 016 F05 205	Gear Box	2
38	F 016 F05 206	Tank	2
39	F 016 F05 207	Screw M5 X16 Silver	2
40	F 016 F05 208	Washer	2
41	F 016 F05 209	Bearing	2
42	F 016 F05 210	Motor Housing	2
43	F 016 L78 294	Warning Label	2
44	F 016 F05 212	Washer	2
45	F 016 F05 213	Plate	2
46	F 016 F05 214	Shaft	2
47	F 016 F05 240	rotator	2
48	F 016 F05 215	Telescope Pipe	2
50	F 016 F05 255	Warning Label	2
51	F 016 F05 216	Bottle	2
845	3 605 430 003	Grease Tube ALBIDA	2